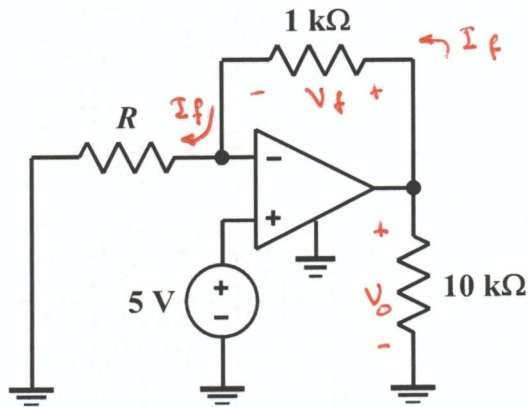


EE 2240
Problem #05

What value of R is required so that 10 mW is delivered to the 10 k Ω resistor?



$$\frac{V_o^2}{10\text{ k}\Omega} = 10\text{ mW} \Rightarrow V_o = 10\text{ V}$$

$$V_f = V_o - 5\text{ V} = 10\text{ V} - 5\text{ V} = 5\text{ V}$$

$$I_f = \frac{V_f}{1\text{ k}\Omega} = \frac{5\text{ V}}{1\text{ k}\Omega} = 5\text{ mA}$$

$$R I_f = 5\text{ V} \Rightarrow R = \frac{5\text{ V}}{5\text{ mA}} = 1\text{ k}\Omega$$